



# KAISSU®

## Side table "Awa"



### Materials

MDF covered with natural oak veneer.

Shelf:  
Cold rolled steel (Black - powder coated).

### Description

Side table with a playful design.

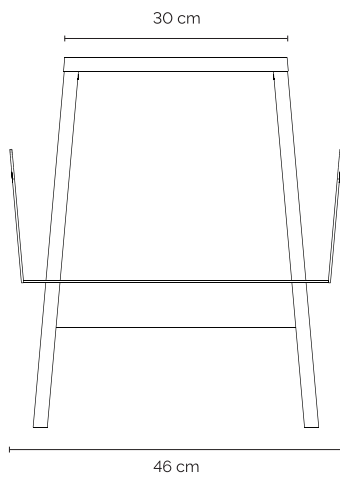
Vertical racks on either side are ideal for storing magazines or books.

### Packaging

50 x 31 x 25cm - 20kg

Product needs assembly.

### Frontal view



### Side view

